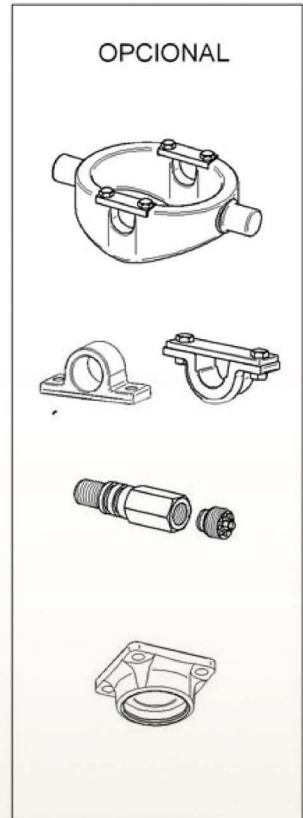
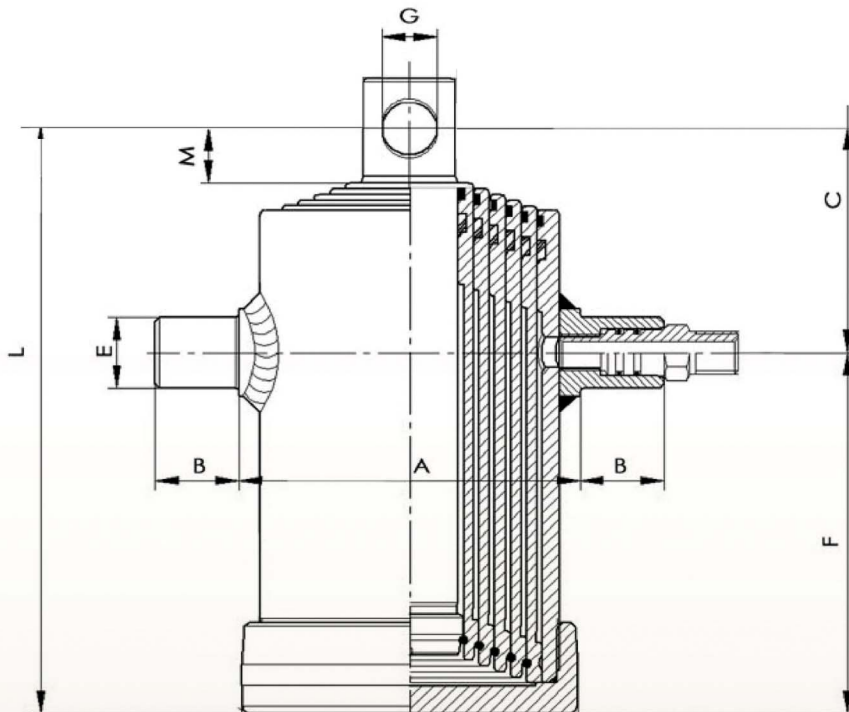


CILINDROS TIPO "F"

CÓDIGO	DESCRIPCIÓN	EXPANSIONES	DIMENSIONES CILINDROS								PESO BRUTO	ACEITE LTRS
			A	B	C	E	F	G	M	L		
CTF001	CT 2X455X80 2020F 3,5tn	46-61	105	40	100	35	240	26	27	340	14	1,1
CTF036	CT 2X525X80 2021F 3,5tn										14,5	1,3
CTF057	CT 2X 595X 80 2022F 3,5tn										15,5	1,5
CTF041	CT 2X595X95 3022F 5,5tn	61-76	115	40	105	35	310	31	31	415	20	2,3
CTF042	CT 2X695X95 3023F 5,5tn										23	2,7
CTF043	CT 2X795X95 3024F 5,5tn										26	3
CTF033	CT 3X683X95 2033F 5tn	46-61-76	135	40	102	35	240	26	32	342	16,5	2,2
CTF049	CT 3X893X112 3034F 8tn	61-76-91									29	4,2
CTF005	CT 3X1043X95 2036F 5tn	46-61-76									21,5	3,3
CTF050	CT 3X1043X112 3035F 8tn	61-76-91	150	40	107	40	365	31	42	472	33	5
CTF051	CT 3X1043X124 4034F 11tn	68-88-107									40	6,6
CTF037	CT 3X1283X112 3036F 8tn	61-76-91									38	6
CTF048	CT 3X1283X124 4035F 11tn	68-88-107	150	40	107	40	445	31	32	552	38	6
CTF064	CT 3X1493X124 4037F 11tn										47	8,2
CTF056	CT 4X910X112 3064F 7tn										46-61-76-91	53
CTF013	CT 4X1040X152 4041F 14tn	68-88-107-126	175	45	130	45	278	36	42	408	48	8,3
CTF009	CT 4X1050X124 3044F 10tn	61-76-91-107									32	6,2
CTF073	CT 4X1060X112 3065F 7tn	46-61-76-91									25,5	4,3
CTF010	CT 4X1190X124 3045F 10tn	61-76-91-107	150	40	112	40	315	31	32	427	34,5	7
CTF016	CT 4X1210X170 4072F 20tn	88-107-126-145									60	13,7
CTF003	CT 4X1220X152 4042F 14tn	68-88-107-126									53,5	9,7
CTF011	CT 4X1290X124 3046F 10tn	61-76-91-107	230	45	112	40	340	31	32	452	37,5	7,5
CTF007	CT 4X1470X190 4082F 25tn	107-126-145-165									86	22,6
CTF045	CT 4X1490X170 4045F 20tn	88-107-126-145									67	16,8
CTF004	CT 4X1500X152 4043F 14tn	68-88-107-126	175	45	130	45	395	36	42	525	61,5	12
CTF039	CT 4X1510X124 3047F 10tn	61-76-91-107									41,5	8,8
CTF008	CT 4X1670X190 4083F 25tn	107-126-145-165									92	25,6
CTF023	CT 4X1690X170 4046F 20tn	88-107-126-145	210	45	200	50	370	36	42	570	74	19
CTF059	CT 4X1700X152 4044F 14tn	68-88-107-126									67,5	13,5
CTF012	CT 4X1710X112 3068F 7tn	46-61-76-91									35,5	6,7
CTF022	CT 4X1710X124 3048F 10tn	61-76-91-107	150	40	112	40	445	26	27	550	35,5	6,7
CTF006	CT 4X1950X190 4048F 25tn	107-126-145-165									100	29,7
CTF032	CT 4X1970X170 4047F 20tn	88-107-126-145									82	22,6
CTF095	CT 4X1990X124 3049F 10tn	61-76-91-107	49,5	11								



CILINDROS TIPO "F"

CÓDIGO	DESCRIPCIÓN	EXPANSIONES	DIMENSIONES CILINDROS								PESO BRUTO	ACEITE LTRS	
			A	B	C	E	F	G	M	L			
CTF046	CT 5X1190X124 3093F 8tn	46-61-76-91-107	150	40	110	40	255	26	27	365	29,5	6	
CTF065	CT 5X1480X152 3053F 11tn	61-76-91-107-126	175	45	120	45	315	31	32	435	51,5	11	
CTF047	CT 5X1490X124 3094F 8tn	46-61-76-91-107	150	40	110	40		26	27	425	33,5	7,5	
CTF002	CT 5X1850X190 5007F 22tn	88-107-126-145-165	230	45	205	50	320	36	42	525	86	25	
CTF054	CT 5X1880X152 3054F 11tn	61-76-91-107-126	175		120	45	395	31	32	515	60	13,5	
CTF017	CT 5X2100X190 4052F 22tn	88-107-126-145-165	230		205	50	370	36	42	575	92	28,2	
CTF014	CT 5X2120X170 4051F 16tn	68-88-107-126-145	210								86	20,6	
CTF055	CT 5X2130X152 3055F 11tn	61-76-91-107-126	175		120	45	445	31	32	565	65,5	15,5	
CTF018	CT 5X2450X190 4053F 22tn	88-107-126-145-165	230		205	50	440	36	42	655	101	32,8	
CTF058	CT 5X2470X170 5002F 16tn	68-88-107-126-145	210							645	95	24	
CTF038	CT 5X2480X152 3056F 11tn	61-76-91-107-126	175		120	45	515	31	32	635	73,5	18	
CTF066	CT 5X2990X170 5015F 16tn	68-88-107-126-145	210		205		570			775	114	29	
CTF067	CT 5X2990X190 5011F 22tn	88-107-126-145-165	230					36	42		118	40	
CTF070	CT 6X2225X190 4060F 20tn	68-88-107-126-145-165	230		208	50	325				533	100	25,9
CTF025	CT 6X2950X190 4062F 20tn						445			653	123	34,6	
CTF028	CT 6X2965X170 6024F 13tn	61-76-91-107-126-145	210		195		440	31	31	635	93	26	
CTF060	CT 6X2977X152 6012F 9tn	46-61-76-91-107-126	175		115	45	515	26	27	630	68	19	

Amarres especiales.

CTF061	CT 3X1130X152 D11560 16 tn	88-107-126	175	45	197	45	312	36	42	509	40	11
CTF035	CT 3X1273X152 4036E 16tn					373	570			53	12	
CTF021	CT 3X1283X124 4035E 11tn	68-88-107	150	40		40	365	562	45,6	8,2		
CTF020	CT 4X1040X152 4041E 14tn	68-88-107-126	175	45	199	45	209			408	48	8,3
CTF099	CT 4X1190X124 3045E 10tn	61-76-91-107	150	40	189	40	238	31	32	427	34,5	7
CTF027	CT 4X1220X152 4042E 14tn	68-88-107-126	175	45	199	45	256	36	42	455	53,5	9,7
CTF031	CT 4X1500X152 4043E 14 tn					326	525			61,5	12	
CTF044	CT 4X1510X124 3047E 10tn	61-76-91-107	150	40		40	308	31	32	507	41,5	8,8
CTF089	CT 4X1700X152 4044E 14tn	68-88-107-126	175	45	45	376	36	42	575	67,5	13,5	

* nº expansiones x carrera x Ø botella. Código origen y capacidad media en tons. A 180 bars de presión.

Cilindros habitualmente en stock. Consulten otras medidas u opciones